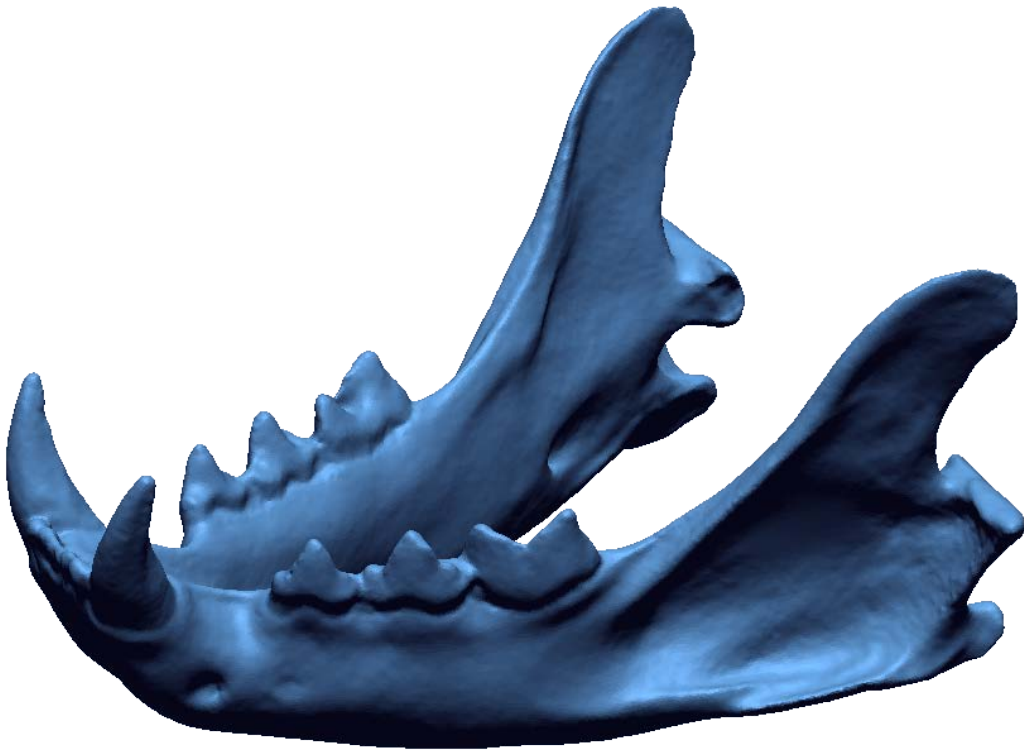




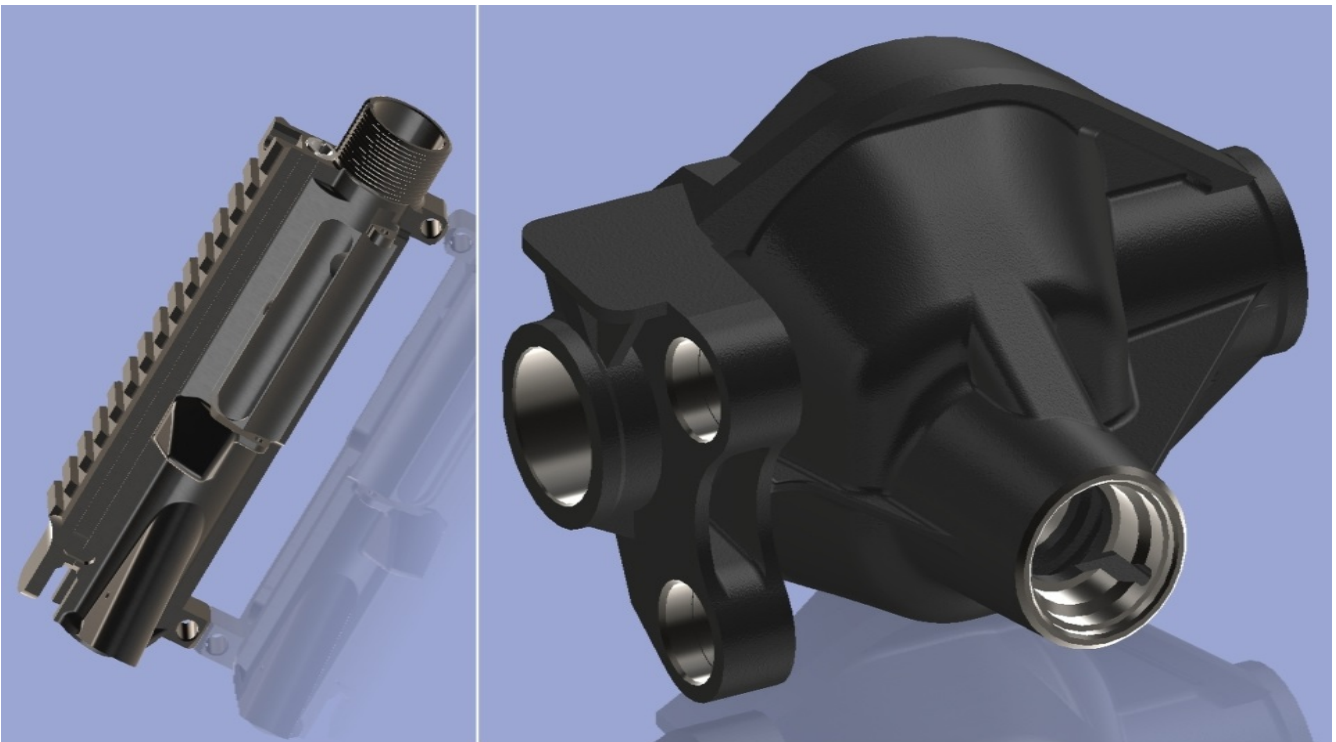
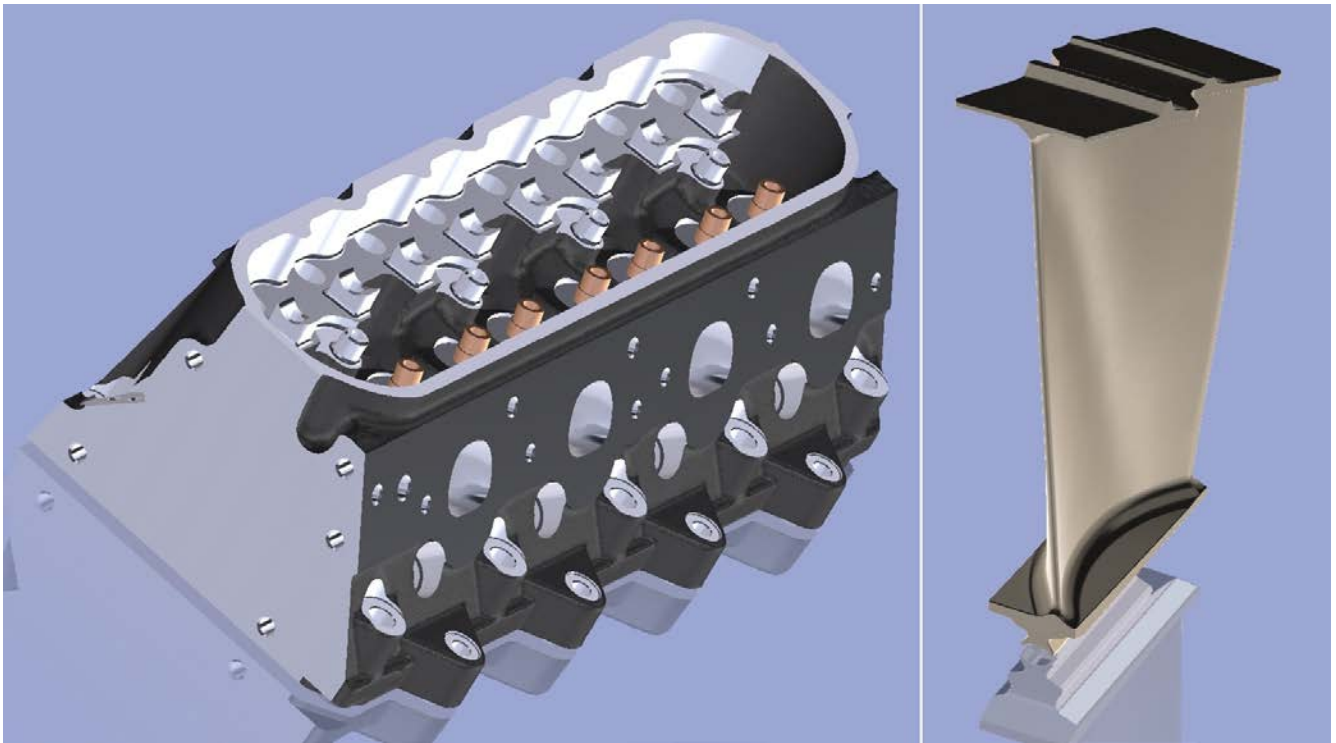
Rev A, LLC

d/b/a Reverse Austin

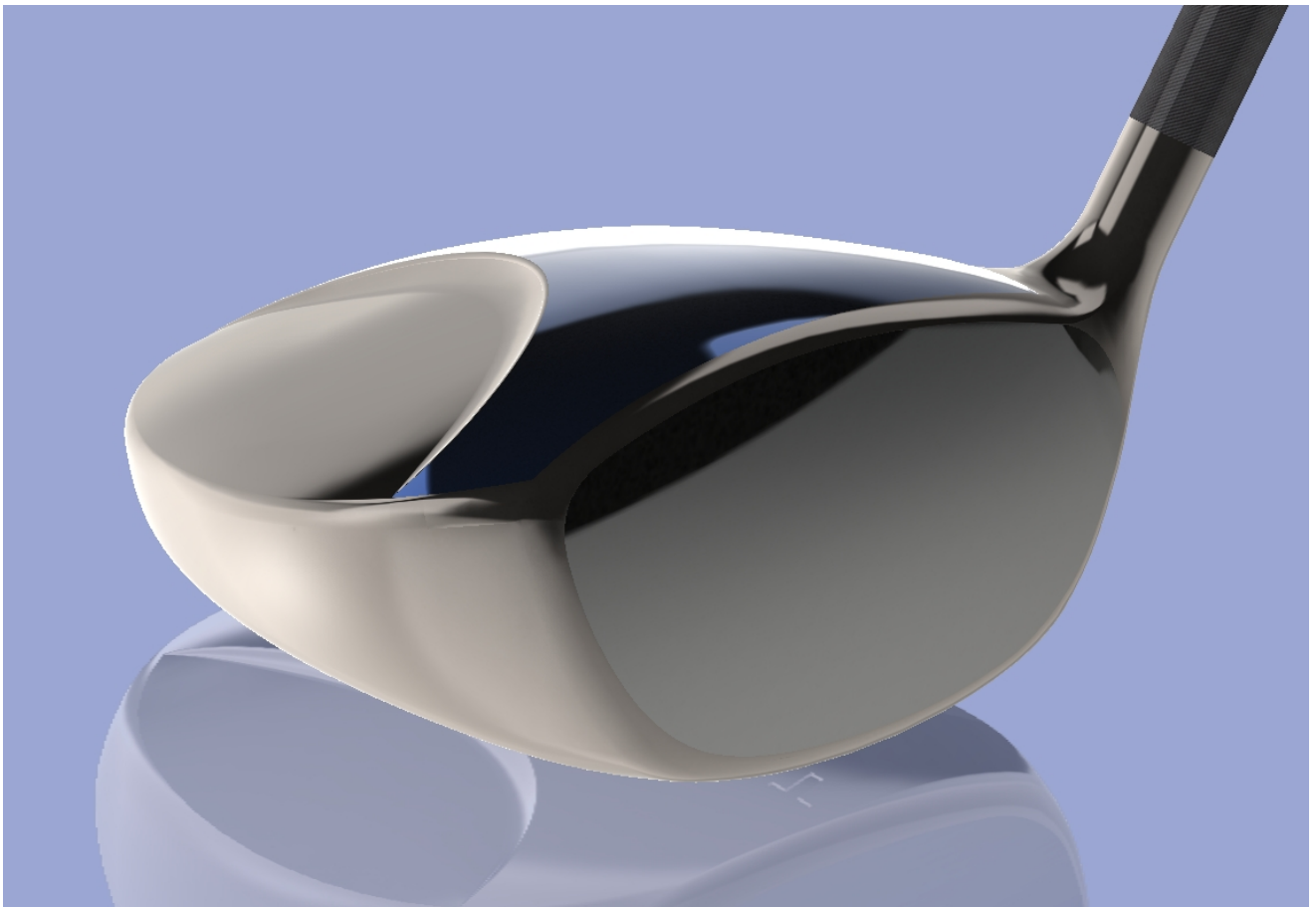
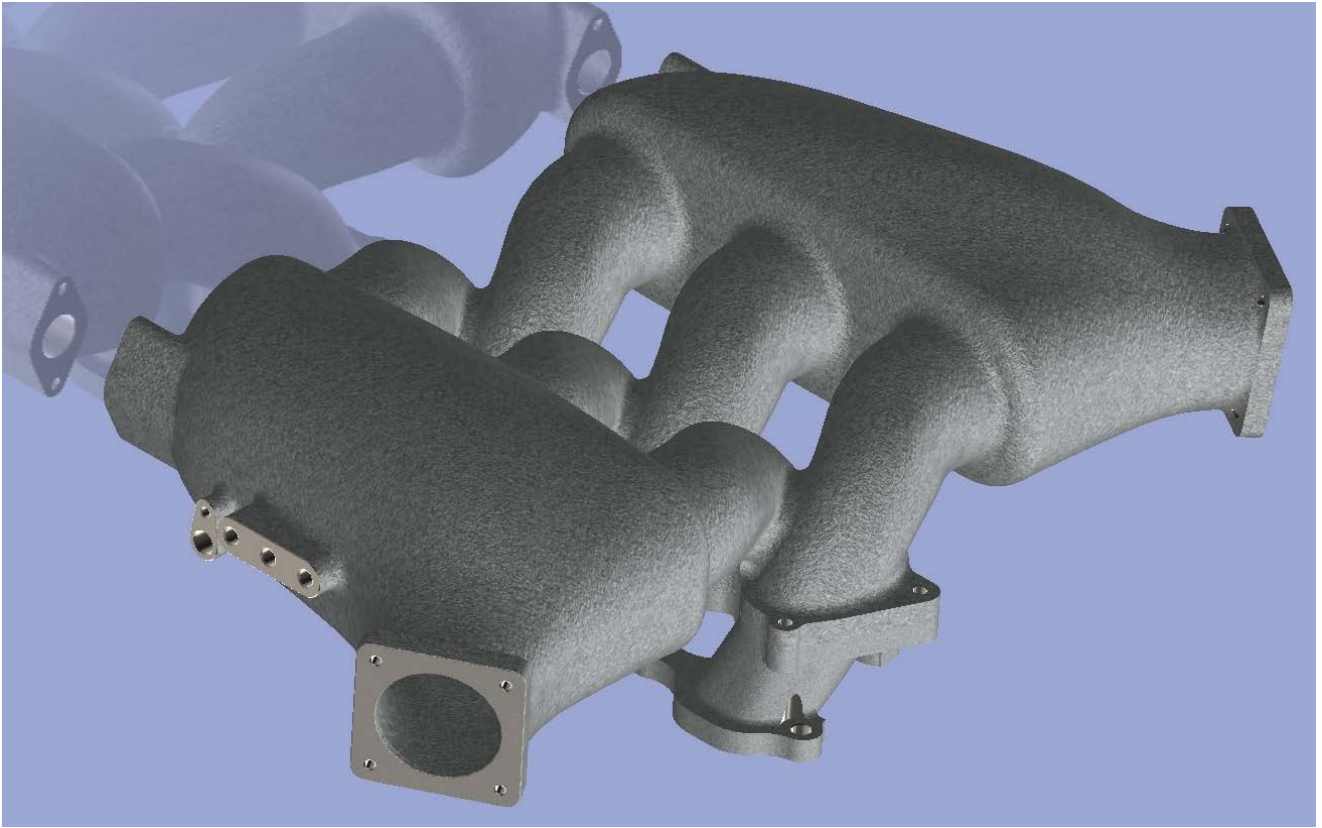
**3D Laser Scanning
Digitizing
CAD Modeling
Industrial Design
Dimensional Inspection**



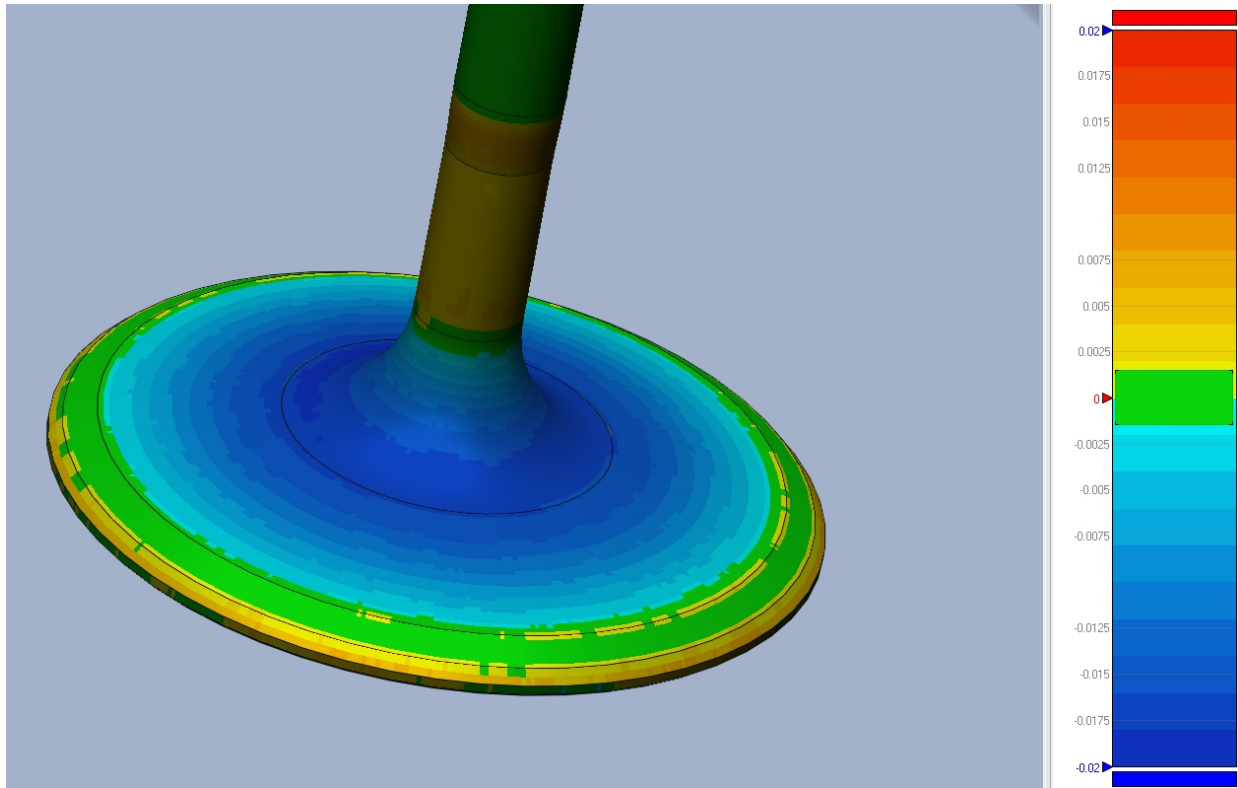
Dimensionally Accurate CAD Models from Your Parts



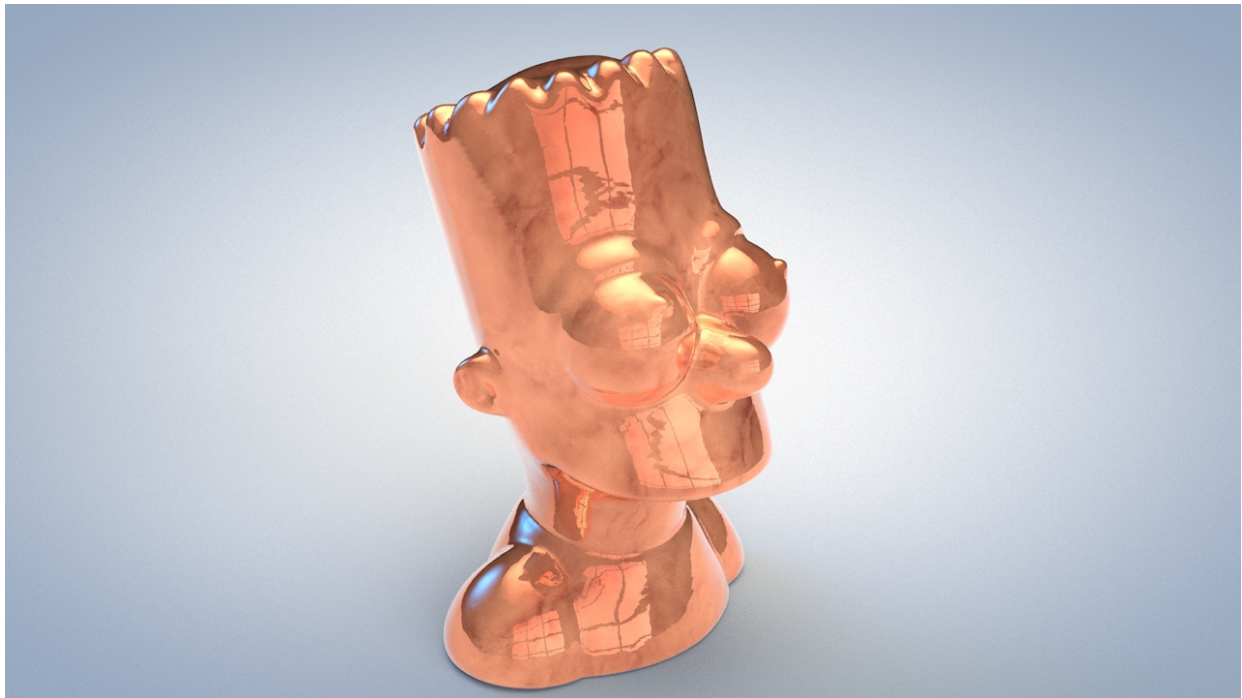
New Designs from Your Ideas



Dimensional Inspection of Your Parts



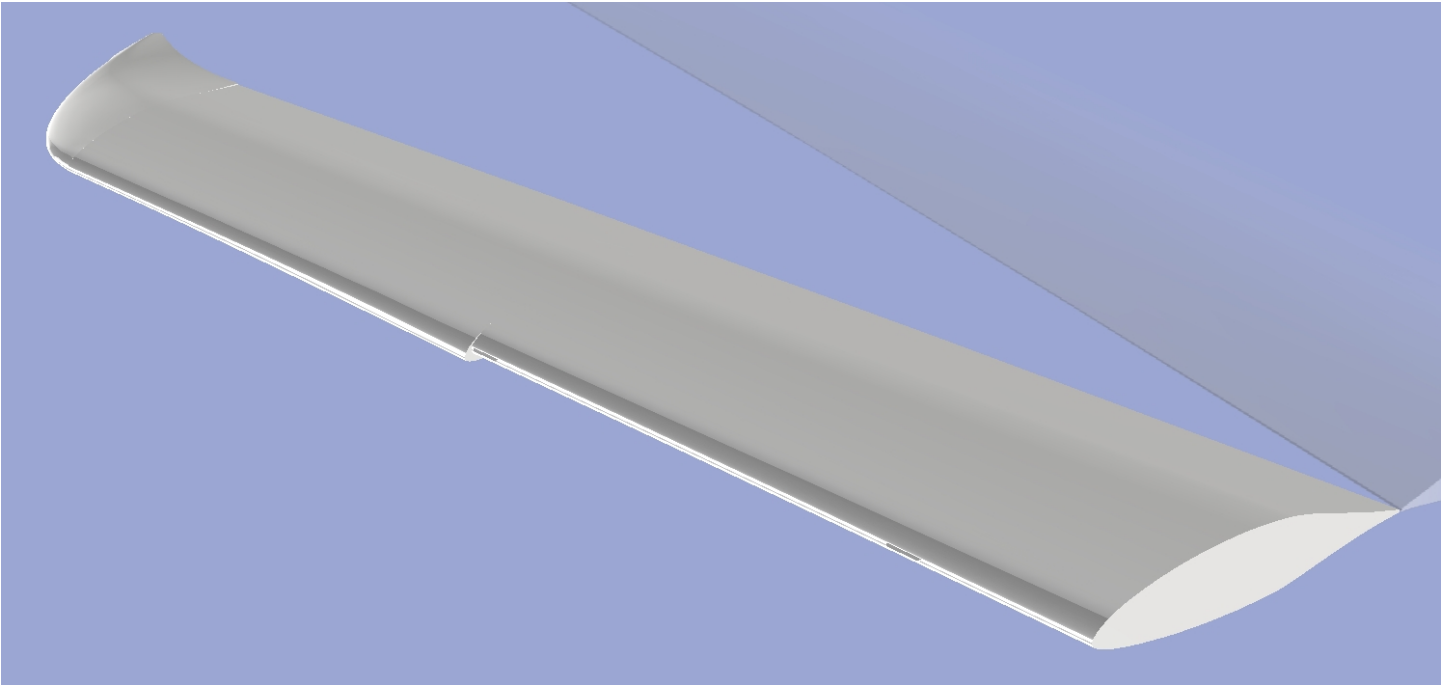
Graphics for Your Presentations



Rendering created from a laser scan of a clay sculpture

On-Site Scanning

If you can't bring your parts to Reverse Austin, Reverse Austin can bring scanning to your facility or to just about any place your parts may be.



Cirrus SR-20 aircraft wing scanned at an airport

Contact Reverse Austin

Located in Cedar Park, Texas

Tom Waits

tom@reverseaustin.com

512-659-0000



* See **Reverse Austin** laser scanning projects on YouTube <http://www.youtube.com/user/ReverseAustin>

Rev A, LLC 512.659.0000 info@reverseaustin.com www.reverseaustin.com